

# DYNE X™

Combination CD-R/CD-RW/DVD Drive

Lecteur combiné de CD-R/CD-RW/DVD

Unidad combo de CD-R/CD-RW/DVD

**DX-ECOD1**

# Dynex DX-ECOD1

## Combination CD-R/CD-RW/ DVD Drive

### Introduction

This high-performance drive combines CD-RW and DVD-ROM functionality into one drive, which frees up space in your computer. This drive reads CDs of all types up to 52X speed maximum, and DVD-ROMs up to 16X speed maximum. This drive writes to CD-Rs at up to 52X speed, and to CD-RWs at up to 32X speed. With the provided software, you can create customized audio and data CDs and watch DVDs.

### Contents

Features .....	2
Setting up the drive.....	2
Using the drive.....	3
Troubleshooting .....	4
Specifications .....	4
Legal notices .....	5
<b>Français .....</b>	<b>6</b>
<b>Español .....</b>	<b>10</b>

### Features

- USB 2.0 interface easily connects to a USB 2.0 or 1.1 port on your Windows computer.
- 8X, 16X, 24X, 32X, 40X, 48X, and 52X writing speeds using CD-R media
- 4X, 10X, 12X, 16X, 24X, and 32X writing speeds using CD-RW media
- Uses Buffer Underrun Prevention technology (MTKSuperLink)
- Supports writing modes of TAO, DAO, SAO, and packet writing
- Large 2 MB internal buffer
- Supports MultiRead
- Serves as an RPC-2 DVD-ROM drive
- Smooth DVD playback
- Low power consumption

### About USB

USB (Universal Serial Bus) is a way of connecting devices to your computer. When you connect a USB device, it is automatically detected by your computer. Any required drivers are automatically installed, and then the device is ready for operation.

USB 2.0 supports data transfer rates at up to 480 Mbps for high-speed devices. It is backward compatible with USB1.1 software and peripherals for transfer data at rates up to 12 Mbps. If your computer doesn't have a built-in USB 2.0 port, you may want to install a USB 2.0 PCI host card in your PC for the drive to run at the much faster USB 2.0 speed.

### System requirements

For Windows-based computers, the minimum system requirements are:

- Pentium II or Celeron 400 MHz or above
- At least 64 MB of memory
- Sufficient hard drive space (minimum 200 MB for installation, 1 GB or more is recommended.)
- Microsoft Windows 98SE, ME, 2000, or XP

- USB 2.0 PCI host card (If your computer does not have USB 2.0 built-in and you want the faster 2.0 speed.)

**Note:** We recommend that you use this drive with computers that have built-in USB 2.0 connectors. If you install a USB 2.0 host card, the DVD reading speed might be affected.

### Package contents

The package contains the following items:

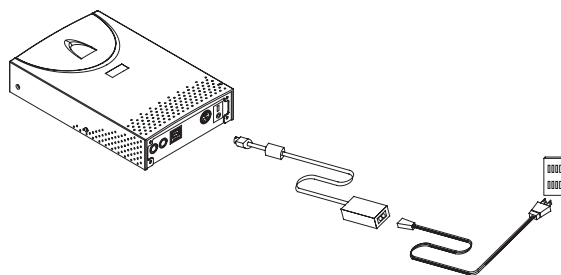
- USB 2.0 external combination drive
- Power adapter
- AC power cable
- USB 2.0 cable
- Application software disc

### Setting up the drive

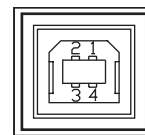
#### Installing the hardware

To install the drive:

- 1 Connect the AC power cord to the power adapter, then connect the power adapter to the drive.



- 2 Connect the AC power cord to an AC power outlet.
- 3 Connect the USB cable to the drive.



- 4 Connect the other end of the USB cable to the USB port on your computer. The drive is now ready to use.
- 5 Connect the audio cable to the drive and your computer.

**Notes:**

- Make sure that you use the USB cable included with the drive.
- Never plug in or unplug any other USB device while the drive is transferring data. Doing so can cause data loss.
- Do not disconnect the drive or unplug the power to the drive while a disc is in the drive.
- Do not connect more than two USB CD-RW drives to a single computer.

### Installing the driver

This combination drive is a Plug and Play device. Windows ME, Windows 2000, and Windows XP can automatically detect the drive and load the appropriate driver. If your computer uses Windows 98SE, install the driver provided on the disc, then restart your computer.

### Installing additional software

The enclosed CD has the following additional software:

#### CD BURNING SOFTWARE

The CD burning software gives you a complete solution for making audio and data CDs right from your desktop. The audio CDs you create can be played in your home or car CD player. With CD-RW discs, you can write and erase data on the CD.

### CD AND DVD PLAYBACK SOFTWARE

The CD and DVD playback software has an enhanced MPEG-1 and 2 decoder to provide you with superior image quality. It is based on the MPEG-2 video decoding engine that supports full resolution up to 720 x 480 video playback. You can enjoy the wide range of CD and DVD titles with theater-quality sound and visual effects.

#### To install the additional software:

- Insert the application CD into the drive and the installation program runs automatically.

-OR-

If the installation program does not run automatically, run **setup.exe** on the application CD.

## DVD region coding

### REGION PLAYBACK CONTROL MANAGEMENT

All DVD video playback systems have *Region Playback Control (RPC)* management, which is required by the movie industry and defined by the DVD Forum. You can only play DVD video discs with the same region code as your DVD video playback system.

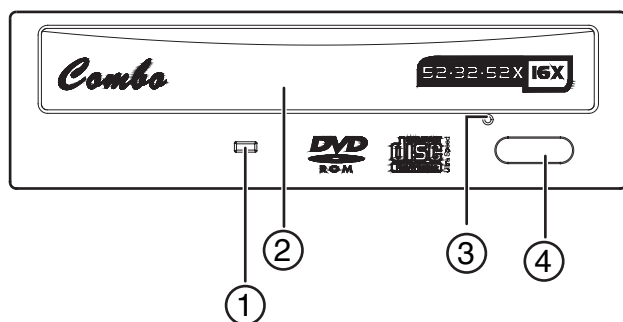
This combination drive is an RPC2 drive and must record the number of times you change the region code. After you have changed the drive's region code five times, the drive won't allow you to change the region code again. This means the code will be locked and only those DVD titles of the same region code can be played.

Region	Location
1	Canada, US
2	Japan, Europe, South Africa, and Middle East (including Egypt)
3	Southeast Asia and East Asia (including Hong Kong)
4	Australia, New Zealand, Pacific Islands, Central America, Mexico, South America, and the Caribbean
5	Eastern Europe, Indian subcontinent, Africa, North Korea, and Mongolia
6	China

## Using the drive

### Front panel

**Note:** The front panel design is subject to change without notice.

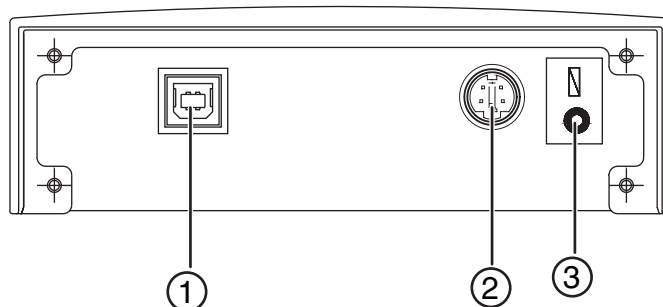


Component	Description
1	LED indicator <ul style="list-style-type: none"> <li>• Solid green—drive is opening and closing.</li> <li>• Flashing green—drive is reading a disc.</li> <li>• Orange—drive is writing to a disc.</li> </ul>

Component	Description
2	Disc tray <p>Place the disc in the tray, then press the Close/Eject button or gently push the tray to close it.</p>
3	Manual eject hole <p>If the disc tray can't be opened using the Close/Eject button, you can insert a straightened paper clip into this hole to manually open the tray. Make sure to turn off the system first.</p>
4	Close/Eject button <p>This button opens and closes the disc tray. If the tray is closed, pressing the button opens it. If the drive is playing, pressing this button stops play.</p>

### Rear view

**Note:** The rear panel design is subject to change without notice.



Component	Description
1	Audio jacks <p>Connect the audio cable to these ports and to your computer.</p>
2	USB connector <p>Connect the USB cable to this port.</p>
3	DC power connector <p>Connect the power adapter to this connector.</p>
4	Power switch <p>Turns the drive on and off.</p>

### Over-burning

This drive supports over-burning. You must use software that supports over-burning to use this feature.

### Software

In addition to the software provided, you can use programs such as Adaptec EasyCD Creator, Ahead Nero-Burning ROM, and NTI CDMaker.

### CD-Text and SAO (Session At Once)

This drive supports CD-Text and SAO to edit the title or content of your music CDs.

## Troubleshooting

Problem	Solution
The drive cannot be recognized.	<ul style="list-style-type: none"> <li>The drive hasn't been connected correctly. Make sure that the USB cable and power connector are tightly connected.</li> <li>If you installed a USB 2.0 PCI card, make sure that the PCI card driver has been installed.</li> <li>If your PC has a built-in USB 2.0 port and you are using Windows 98SE, install the driver.</li> <li>Check the BIOS settings.</li> </ul>
The drive can read data and audio discs, but it can't read DVD discs.	Windows doesn't support the playback of DVD discs and you must install software to play DVD discs.
The external speaker doesn't have sound when playing music CD.	<ul style="list-style-type: none"> <li>Make sure that the audio cable is connected to the audio connector properly.</li> <li>Check connections at both the drive and the sound card. If they are connected, verify that the sound card is working.</li> </ul>
The drive can't read former session(s) of the CD-R disc which has been written two or more times.	Before writing CD-R discs with data copy, remember to choose <b>Import session</b> to read the former sessions.
There is noise while reading the disc.	If there are labels on the disc, they will cause noise.
The drive doesn't have power.	Make sure the power cord is connected securely.
The tray cannot be ejected.	<ul style="list-style-type: none"> <li>Some burning or playing applications lock the drive. You have to eject the tray by using the application.</li> <li>The CD is inserted incorrectly. Insert a straightened paper clip into the manual eject hole on the front panel.</li> </ul>
The drive cannot read some discs.	Make sure the disc does not have deep scratches, fingerprints, or other contaminants on the surface. If necessary, clean the disc.
The drive cannot write to a disc.	<ul style="list-style-type: none"> <li>Use the burning software provided with this drive or download an updated file from Internet.</li> <li>Your hard drive is too full. Additional hard drive capacity is required if using the hard drive as a temporary buffer.</li> <li>Place the disc into the tray correctly.</li> <li>The blank disc needs a full format first if using packet writing software.</li> </ul>

Problem	Solution
"Buffer underrun" always occurs while writing discs.	<ul style="list-style-type: none"> <li>Turn off the screen saver and TSR (Terminate and Stay Resident) programs.</li> <li>Turn off any other applications while burning.</li> <li>Select good quality, high-speed, supported blank discs.</li> <li>Increase your computer memory.</li> <li>Select different burning software.</li> <li>De-fragment your computer's hard drive.</li> <li>Keep the source and destination discs free of scratches, fingerprints, or contamination.</li> <li>Copy data as an image file to the hard drive to avoid buffer underrun.</li> <li>Keep the system clean. Do not install redundant drivers or applications to reduce system loading as well as conflicts.</li> <li>Enable Buffer Underrun Protection mode if your software supports it.</li> </ul>

## Specifications

### Performance

#### Transfer rate (read)

CD-ROM .....	7800 kb/sec (up to 52X)
CD-RW .....	6000 kb/sec (up to 40X)
DVD-5 .....	21632 kb/sec (up to 16X)
DVD-9 .....	13520 kb/sec (up to 10X)

#### Transfer rate (write)

CD-R .....	7800 kb/sec (up to 52X)
CD-RW .....	4800 kb/sec (up to 32X)
Data buffer .....	2 MB

#### Writing modes

.....	TAO (Track at once)
.....	DAO (Disc at Once)
.....	SAO (Session at once)
.....	Multi-session
.....	Incremental Packet Writing (fixed and variable packet size)

#### Writing speed

CD-R .....	8X/16X/24X/32X/40X/48X/52X
CD-RW .....	4X/10X/12X/16X/24X/32X

### Mechanism (physical)

Interface .....	USB 2.0
Disc loading .....	Tray (motorized)
Audio output level .....	Line out = 0.6 ± 10% Vrms

#### Power requirement

Input .....	AC 100~240V, 50/60Hz
Output .....	5V 1.5A, 12V 1.5A

#### Dimensions

.....	1.8" × 6.0" × 9.2" (46.25 mm × 152.5 mm × 234.5 mm)
Weight .....	4.4 lbs. (2 kg)

## Environment

### Temperature

Operating..... 41°F to 113°F (5°C to 45°C)

Non-operating .....-4°F to 140°F (-20°C to 60°C)

### Humidity

Operating..... 8% ~ 80% RH

Non-operating ..... 5% ~ 95% RH

## Disc format supported

Disc format	Write	Read
CD-DA	X	X
CD-ROM	X	X
CD-ROM XA	X	X
CD-EXTRA	X	X
Video CD	X	X
Photo CD	X	X
CD-I	X	X
CD-TEXT	X	X
DVD-ROM (DVD-5, DVD-9, DVD-10, DVD-18)		X
DVD+RW, DVD-RW		X

## Legal notices

Class 1 laser product  
Appareil a laser de classe 1  
Laser klasse 1  
Loukan 1 laserlaite  
Produit laser categorie 1

## Caution

Class 3B visible and invisible laser radiation when open. Avoid direct exposure to beam.

## Vorsicht

Klass 3B sichtbare und unsichtbare laserstrahlung wenn geoffnet. Nicht in den strahl sehen.

## Attention

Radiation du faisceau laser visibles et invisibles de class 3B

## En cas d'ouverture

Eviter toute exposition aux rayons.

## FCC Compliance Statement

This device complies with Part 15 of the FCC Rules. Operation is subject to the following two conditions:

- 1 This device may not cause harmful interference.
- 2 This device must accept any interference received, including interference that may cause undesired operation.

## FCC Warning Statement

This equipment has been tested and found to comply with the limits for a Class B digital device, pursuant to Part 15 of the FCC Rules. These limits are designed to provide reasonable protection against harmful interference in a residential installation. This equipment generates, uses and can radiate radio frequency energy and, if not installed and used in accordance with the instructions, may cause harmful interference to radio communications. However, there is no guarantee that interference will not occur in a particular installation. If this equipment does cause harmful interference to radio or television reception, which can be determined by turning the equipment off and on, the user is encouraged to correct the interference by one or more of the following measures:

- Reorient or relocate the receiving antenna
- Increase the separation between the equipment and the receiver
- Connect the equipment into an outlet on a circuit different from that to which the receiver is connected
- Consult the dealer or an experienced radio/TV technician for help.

## Caution

Any changes or modifications not expressly approved by the party responsible for compliance could void the user's authority to operate the equipment.

## For Europe



"The drive is in conformity with the EMC directive and low-voltage directive."

© 2006 Dynex. DYNEX and the DYNEX logo are trademarks of Best Buy Enterprise Services, Inc. Other brands and product names are trademarks or registered trademarks of their respective holders. Specifications and features are subject to change without notice or obligation.

# Lecteur combiné CD-R/ CD-RW/DVD DX-ECOD1 de Dy nex

## Introduction

Ce lecteur combiné à performances élevées permet l'utilisation de CD-RW et DVD-ROM dans un seul lecteur, libérant ainsi un logement précieux. Il peut lire tous les types de CD à une vitesse maximale de 52X et les DVD-ROM à une vitesse maximale de 16X. Il est doté d'une capacité de gravure à des vitesses de 52X pour les CD-R et 32X pour les CD-RW. Le logiciel fourni permet de créer des CD audio et de données personnalisés et de visualiser des DVD.

## Table des matières

Caractéristiques.....	6
Installation du lecteur.....	6
Fonctionnement du lecteur.....	7
Problèmes et solutions.....	8
Caractéristiques.....	8
Avis juridiques.....	9

## Caractéristiques

- L'interface USB 2.0 se connecte facilement à un port USB 2.0 ou 1.1 de l'ordinateur avec système d'exploitation Windows.
- Vitesse d'écriture sur support CD-R : 8X, 16X, 24X, 32X, 40X, 48X et 52X
- Vitesse d'écriture sur support CD-RW : 4X, 10X, 12X, 16X, 24X et 32X
- Intègre la technologie de protection contre la sous-alimentation de la mémoire tampon (MTKSuperLink)
- Compatible avec les modes d'écriture piste en une fois (TAO), disque en une fois (DAO), session en une fois (SAO) et écriture par paquets
- Mémoire tampon interne importante de 2 Mo
- Intègre la fonction multisessions
- Peut être utilisé comme lecteur de DVD-ROM RPC-2
- Lecture de DVD en souplesse
- Consommation électrique faible

## À propos de la norme USB

La technologie USB (Bus série universel) permet de connecter des périphériques à l'ordinateur. Quand un périphérique USB est connecté, il est automatiquement détecté par l'ordinateur. Tous les pilotes requis sont automatiquement installés, aussi le périphérique est immédiatement prêt à fonctionner.

USB 2.0 permet des transferts de données jusqu'à 480 Mbps pour les périphériques à haut débit. Il est rétrocompatible avec les logiciels et périphériques USB 1.1 pour des transferts de données jusqu'à 12 Mbps. Si le PC utilisé n'a pas de port intégré USB 2.0, il est nécessaire d'installer une carte hôte PCI USB 2.0 sur ce PC pour que le lecteur fonctionne à la vitesse USB 2.0.

## Configuration système requise

Pour les ordinateurs avec Windows, la configuration système requise est :

- Pentium II ou Celeron 400 MHz ou supérieur
- Au moins 64 Mo de mémoire
- Suffisamment d'espace disque dur (minimum 200 Mo pour l'installation, 1 Go ou plus recommandé).
- Microsoft Windows 98SE, ME, 2000 ou XP
- Carte hôte PCI USB 2.0 (si l'ordinateur n'a pas de port USB 2.0 intégré et qu'une vitesse plus rapide de 2.0 est nécessaire).

**Remarque :** Il est recommandé d'utiliser ce lecteur avec des ordinateurs dotés de connecteurs USB 2.0 intégrés. En cas d'utilisation de carte hôte USB 2.0, la vitesse de lecture du DVD peut être affectée.

## Contenu de l'emballage

La boîte contient les éléments suivants :

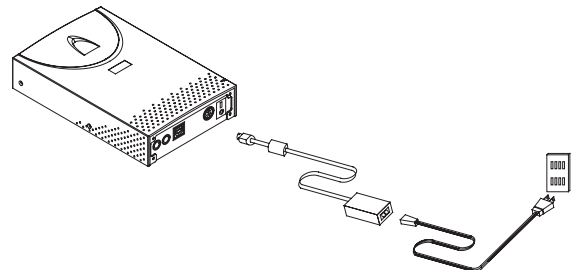
- Lecteur combiné USB 2.0 externe
- Adaptateur d'alimentation
- Câble d'alimentation CA
- Câble USB 2.0
- Disque contenant les logiciels d'applications

## Installation du lecteur

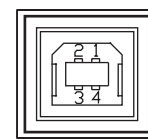
### Installation du matériel

**Pour installer le lecteur :**

- 1 Connecter le cordon d'alimentation CA à l'adaptateur d'alimentation, puis connecter ce dernier au lecteur.



- 2 Connecter le cordon d'alimentation CA à une prise secteur CA.
- 3 Connecter le câble USB au lecteur.



- 4 Connecter l'autre extrémité du câble USB au port USB de l'ordinateur. Le lecteur est maintenant prêt à l'utilisation.
- 5 Connecter le câble audio au lecteur et à l'ordinateur.

**Remarques :**

- S'assurer d'utiliser le câble USB fourni avec le lecteur.
- Ne jamais brancher ou débrancher d'autres périphériques USB pendant que le lecteur transfère des données. Cela peut provoquer la perte de données.
- Ne pas déconnecter le lecteur ou débrancher son alimentation alors qu'un disque y est inséré.
- Ne pas connecter plus de deux lecteurs CD-RW USB sur un seul ordinateur.



## Installation du pilote

Ce lecteur combiné est un périphérique Plug and Play (Brancher et utiliser). Windows ME, Windows 2000 et Windows XP détectent automatiquement le lecteur et installent le pilote adapté. Si l'ordinateur utilise Windows 98SE, installer le pilote fourni sur le disque, puis redémarrer l'ordinateur.

## Installation de logiciels supplémentaires

Le CD fourni contient les logiciels supplémentaires suivants :

### LOGICIEL DE GRAVURE DE CD

Le logiciel de gravure de CD intègre la solution complète pour la création de CD audio et de données à partir de l'ordinateur. Les CD audio créés peuvent être écoutés à la maison ou dans le lecteur de CD du véhicule. Avec les disques CD-RW il est possible d'écrire ou d'effacer des données sur un CD.

### LOGICIEL DE LECTURE DE CD ET DE DVD

Le logiciel de lecture de CD et de DVD est doté d'un décodeur MPEG-1 et 2 amélioré pour fournir une qualité d'image supérieure. Il est basé sur le moteur de décodage vidéo MPEG-2 qui permet d'avoir une lecture vidéo à résolution intégrale jusqu'à 720 x 480. Il est ainsi possible de profiter d'une large variété de CD/DVD éducatifs ou de divertissement avec un son et des effets visuels de qualité cinéma.

#### Pour installer les logiciels supplémentaires :

- Insérer le CD d'applications dans le lecteur et le programme d'installation s'exécute automatiquement.
- OU -

Si le programme d'installation ne s'exécute pas automatiquement, exécuter **setup.exe** du CD d'applications.

## Code de la région pour les DVD

### CONTRÔLE DE LA LECTURE EN FONCTION DE LA RÉGION

Tous les appareils de lecture de DVD vidéo comportent un *Contrôle de gestion du code de région* (RPC) imposé par l'industrie du cinéma et défini par le DVD Forum. Il n'est possible de lire que des DVD vidéo qui ont le même code de région que ce lecteur.

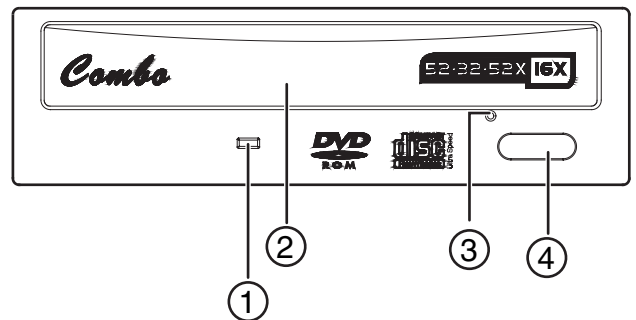
Ce lecteur combiné est à la norme RPC2 et enregistre le nombre de fois que le code de région est modifié. Le code de région de ce lecteur combiné ne peut pas être modifié plus de cinq fois. Ceci signifie que le code sera verrouillé et seuls les titres DVD du même code de région pourront être lus.

Région	Emplacement
1	Canada, É.-U.
2	Japon, Europe, Afrique du Sud et Moyen-Orient (y compris l'Égypte)
3	Asie du Sud-Est et Extrême-Orient (y compris Hong Kong)
4	Australie, Nouvelle-Zélande, Îles du Pacifique, Amérique Centrale, Mexique, Amérique du Sud et les Caraïbes
5	Europe de l'Est, sous-continent Indien, Afrique, Corée du Nord et Mongolie
6	Chine

## Fonctionnement du lecteur

### Panneau avant

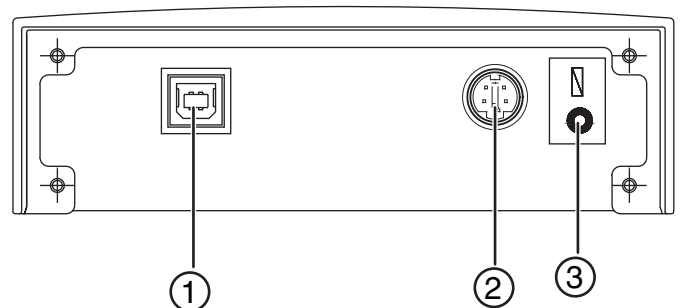
**Remarque :** Le panneau avant peut être modifié à tout moment sans préavis.



	Élément	Description
1	Témoignage DEL	<ul style="list-style-type: none"> <li>• Vert fixe – le lecteur s'ouvre et se ferme.</li> <li>• Vert clignotant – le lecteur lit un disque.</li> <li>• Orange – le lecteur grave un disque.</li> </ul>
2	Plateau du disque	Placer le disque sur le plateau, puis appuyer sur la touche Fermer/Éjecter ou pousser légèrement le plateau pour le fermer.
3	Orifice d'éjection manuelle	Si la touche Fermer/Éjecter n'ouvre pas le plateau du disque, il peut être ouvert en insérant un trombone étiré dans cet orifice pour l'ouvrir manuellement. S'assurer de mettre d'abord le système hors tension.
4	Touche Fermer/Éjecter	Cette touche ouvre et ferme le plateau du disque. Si le plateau est fermé, appuyer sur la touche pour l'ouvrir. Si le lecteur est en cours de lecture, en appuyant sur cette touche il s'arrêtera.

### Vue arrière

**Remarque :** Le panneau arrière peut être modifié à tout moment sans préavis.



	Élément	Description
1	Prises audio	Connecter le câble audio à ces ports et à l'ordinateur.
2	Connecteur USB	Connecter le câble USB à ce port.

	Élément	Description
3	Connecteur d'alimentation CC	Brancher l'adaptateur d'alimentation à ce connecteur.
4	Interrupteur d'alimentation	Mise sous et hors tension du lecteur.

## Gravure au-delà de la capacité du disque

Ce lecteur permet la gravure au-delà de la capacité du disque. Il est nécessaire d'utiliser un logiciel qui permet la gravure au-delà de la capacité du disque pour utiliser cette fonction.

## Logiciel

Outre le logiciel fourni, il est possible d'utiliser des applications telles que Adaptec EasyCD Creator, Ahead Nero-Burning ROM et NTI CDMaker.

## CD-Texte et SAO (Session en une fois)

Ce lecteur est compatible avec les fonctions CD-Texte et SAO (Session en une fois) pour éditer le titre ou contenu des CD de musique.

## Problèmes et solutions

Problème	Solution
Le lecteur n'est pas reconnu.	<ul style="list-style-type: none"> <li>Le lecteur n'a pas été connecté correctement. Vérifier que le câble USB et le cordon d'alimentation sont correctement branchés.</li> <li>Si une carte PCI USB 2.0 a été installée, vérifier que le pilote de la carte l'est également.</li> <li>Si le PC a un port USB 2.0 intégré et qu'il utilise Windows 98SE, installer le pilote.</li> <li>Vérifier les paramètres du BIOS.</li> </ul>
Le lecteur peut lire des disques de données ou audio, mais ne peut pas lire de DVD.	Windows ne permet pas la lecture des disques DVD, il est donc nécessaire d'installer un logiciel pour les lire.
Le haut-parleur externe n'émet pas de son lors de la lecture d'un CD de musique.	<ul style="list-style-type: none"> <li>Vérifier que le câble audio est correctement branché au connecteur audio.</li> <li>Vérifier les connexions du lecteur et de la carte son. Si les connexions sont correctes, vérifier que la carte son fonctionne.</li> </ul>
Le lecteur ne peut pas lire de sessions antérieures du disque CD-R qui a été réécrit plus d'une fois.	Avant de graver des disques CD-R pour faire une copie de données, sélectionner <b>Importer une session</b> pour lire les sessions antérieures.
Existence de parasites pendant la lecture.	Si le disque a des étiquettes, cela peut causer des parasites.
Le lecteur n'est pas alimenté.	Vérifier que le cordon d'alimentation est correctement connecté.
Le plateau ne s'ouvre pas.	<ul style="list-style-type: none"> <li>Certaines applications de lecture ou de gravure verrouillent le lecteur. Il faut éjecter le plateau à l'aide de l'application.</li> <li>Le CD n'a pas été inséré correctement. Insérer un trombone étiré dans l'orifice d'éjection manuelle sur le panneau avant.</li> </ul>
Le lecteur ne peut pas lire certains disques.	Vérifier que la surface du disque ne comporte pas de rayures profondes, de traces d'empreintes ou autres impuretés. Si nécessaire, nettoyer le disque.

Problème	Solution
Le lecteur ne peut pas graver de disque.	<ul style="list-style-type: none"> <li>Utiliser l'application de gravure livrée avec ce lecteur ou télécharger une mise à jour du fichier à partir de l'Internet.</li> <li>Le disque dur est plein. Si le disque dur est utilisé comme mémoire tampon temporaire, l'espace disponible sur le disque dur est insuffisant.</li> <li>Placer le disque correctement sur le plateau.</li> <li>Le disque vierge doit d'abord être formaté complètement en cas d'utilisation avec un logiciel de gravure par paquets.</li> </ul>
Chaque fois qu'un disque est gravé le message « Buffer underrun » (Sous-alimentation de la mémoire tampon) s'affiche.	<ul style="list-style-type: none"> <li>Désactiver l'économiseur d'écran et les TSR (Programmes fermés résidents).</li> <li>Fermer toutes les autres applications pendant la gravure.</li> <li>Utiliser des disques vierges de haute qualité compatible avec la gravure rapide.</li> <li>Augmenter la mémoire de l'ordinateur.</li> <li>Essayer d'autres logiciels de gravure.</li> <li>Défragmenter le disque dur de l'ordinateur.</li> <li>Conserver les disques sources et cibles propres (pas de rayures, d'empreintes ou d'impuretés).</li> <li>Créer une image des fichiers de données sur le disque dur pour éviter la sous-alimentation de la mémoire tampon.</li> <li>Conserver le système propre. Ne pas installer de pilotes redondants ou d'applications ayant pour objet de limiter le chargement du système ou d'éviter les conflits.</li> <li>Activer le mode protection contre la sous-alimentation de la mémoire tampon si le logiciel utilisé prend en charge cette fonctionnalité.</li> </ul>

## Caractéristiques

### Performance

#### Vitesse de transfert (lecture)

CD-ROM .....	7 800 kbps (jusqu'à 52X)
CD-RW .....	6 000 kbps (jusqu'à 40X)
DVD-5 .....	21 632 kbps (jusqu'à 16X)
DVD-9 .....	13 520 kbps (jusqu'à 10X)

#### Vitesse de transfert (écriture)

CD-R .....	7 800 kbps (jusqu'à 52X)
CD-RW .....	4 800 kbps (jusqu'à 32X)
Registre tampon des données .....	2 Mo

#### Modes d'écriture

.....	TAO (Piste en une fois)
.....	DAO (Disque en une fois)
.....	SAO (Session en une fois)
.....	Multisessions
Écriture incrémentale par paquets (taille des paquets fixe et variable)	



**Vitesse d'écriture**

CD-R..... 8X/16X/24X/32X/40X/48X/52X

CD-RW ..... 4X/10X/12X/16X/24X/32X

**Mécanisme (spécifications physiques)**

Interface ..... USB 2.0

Chargement du disque ..... Plateau (motorisé)

Niveau de la sortie audio..... Sortie ligne =  $0,6 \pm 10\%$  V efficace**Alimentation requise**

Entrée ..... CA 100 ~ 240 V, 50/60 Hz

Sortie ..... 5 V 1,5 A, 12 V 1,5 A

**Dimensions**..... 1,8 po  $\times$  6,0 po  $\times$  9,2 po (46,25 mm  $\times$  152,5 mm  $\times$  234,5 mm)

Poids ..... 4,4 lb (2 kg)

**Environnement****Température**

En fonctionnement ..... 41 °F à 113 °F (5 °C à 45 °C)

Hors fonctionnement ..... - 4 °F à 140 °F (- 20 °C à 60 °C)

**Hygrométrie**

En fonctionnement ..... 8 % ~ 80 % HR

Hors fonctionnement ..... 5 % à 95 % HR

**Formats de disques compatibles**

Format de disque	Écritur e	Lectur e
CD-DA	X	X
CD-ROM	X	X
CD-ROM XA	X	X
CD-EXTRA	X	X
CD vidéo	X	X
CD Photo	X	X
CD-I	X	X
CD-TEXTE	X	X
DVD-ROM (DVD-5, DVD-9, DVD-10, DVD-18)		X
DVD+RW, DVD-RW		X

**Avis juridiques**

Class 1 laser product

Appareil à laser de classe 1

Laser klasse 1

Loukan 1 laserlaite

Appareil à laser de catégorie 1

**Précautions**Radiations lasers visibles et invisibles de classe 3B en cas d'ouverture.  
Éviter toute exposition directe aux rayons laser.**Vorsicht**

Klass 3B sichtbare und unsichtbare laserstrahlung wenn geoffnet. Nicht in den strahl sehen.

**Attention**

Radiations du faisceau laser visibles et invisibles de classe 3B

**En cas d'ouverture**

Éviter toute exposition aux rayons.

**Déclaration de conformité FCC**

Cet appareil est conforme à l'article 15 du règlement de la FCC. Son fonctionnement est soumis aux deux conditions suivantes :

- 1 Cet appareil ne doit pas émettre d'interférences nuisibles.
- 2 Cet appareil doit accepter toutes les interférences reçues, y compris celles pouvant provoquer un fonctionnement non souhaité.

**Avertissement de la FCC**

Cet équipement a été testé et déclaré conforme aux limitations prévues dans le cadre de la catégorie B des appareils numériques, définie par l'article 15 du règlement de la FCC. Ces limites ont été établies pour fournir une protection raisonnable contre les interférences nuisibles lors d'une installation résidentielle. Cet équipement génère, utilise et diffuse des ondes radio et s'il n'est pas installé ni utilisé en conformité avec les instructions dont il fait l'objet, il peut provoquer des interférences indésirables avec les communications radio. Cependant, il n'est pas possible de garantir qu'aucune interférence ne se produira dans une installation particulière. Si cet équipement produit des interférences importantes lors de réceptions radio ou télévisées, qui peuvent être détectées en éteignant puis en rallumant l'appareil, essayer de corriger l'interférence au moyen de l'une ou de plusieurs des mesures suivantes :

- Réorienter ou déplacer l'antenne réceptrice
- Changer la position de l'équipement par rapport au récepteur.
- Raccorder l'équipement à une prise dont le circuit est différent de celui auquel le récepteur est raccordé.
- Contacter le revendeur ou un technicien radio/télévision qualifié pour toute assistance.

**Précautions**

Tout changement ou modification non expressément approuvé par la partie responsable de la conformité pourrait annuler l'autorisation pour l'utilisateur de faire fonctionner cet équipement.

**Pour l'Europe**

« Le lecteur est conforme aux directives CEM et basse tension ».

©2006 Dynex. DYNEX et le logo de DYNEX sont des marques commerciales de Best Buy Enterprise Services, Inc. Les autres noms de marques et de produits sont des marques de commerce ou des marques de commerce déposées de leurs propriétaires respectifs. Les caractéristiques et spécifications sont susceptibles d'être modifiées sans préavis.

# Unidad combo CD-R/ CD-RW/DVD DX-ECOD1 de Dyner

## Introducción

Esta unidad de alto rendimiento combina la funcionalidad de un CD-RW y un DVD-ROM en una unidad, lo cual libera espacio en su computadora. Esta unidad puede leer CD de todos los tipos a la velocidad máxima de 52X, y DVD-ROM con una velocidad máxima de 16X. Esta unidad graba en discos CD-R a la velocidad de 52X y en discos CD-RW a la velocidad de 32X. Con el software proporcionado, puede crear CD personalizados de datos y audio y ver DVD.

## Contenido

Características .....	10
Instalación de la unidad .....	10
Uso de la unidad.....	11
Solución de problemas.....	12
Especificaciones .....	12
Avisos legales.....	13

## Características

- La interfaz USB 2.0 se conecta fácilmente a un puerto USB 2.0 ó 1.1 en su computadora con Windows.
- Velocidad de grabación de 8X, 16X, 24X, 32X, 40X, 48X y 52X en discos CD-R
- Velocidad de grabación de 4X, 10X, 12X, 16X, 24X y 32X en discos CD-RW
- Adopta la tecnología de prevención de agotamiento de buffer (MTKSuperLink)
- Soporta los modos de grabación TAO, DAO, SAO y grabación por paquetes
- Buffer interno grande de 2 MB
- Soporta MultiRead (lectura múltiple)
- Funciona como una unidad de disco DVD-ROM tipo RPC-2
- Reproducción de DVD suavizada
- Consumo bajo de energía

## Acerca de USB

USB (Bus Serial Universal) es una forma de conectar dispositivos a su computadora. Cuando conecta un dispositivo USB, éste se detectará automáticamente por su computadora. Si se requiere un controlador se instalará automáticamente, y luego el dispositivo estará listo para ser usado.

USB 2.0 soporta transferencias de datos de hasta 480 Mbps para dispositivos de alta velocidad. Es compatible con software y periféricos USB 1.1 para transferir información a velocidades de hasta 12 Mbps. Si su PC no tiene un puerto USB 2.0 integrado, se le recomienda instalar una tarjeta host PCI para USB 2.0 en su PC para que la unidad use la velocidad de más rápida de USB 2.0.

## Requisitos de sistema

Para computadoras basadas en Windows, los requisitos mínimos de sistema son:

- Pentium II o Celeron de 400 MHz o mejor
- Por lo menos 64 MB de memoria
- Disco duro con suficiente espacio disponible (mínimo de 200 MB para la instalación y se recomienda 1 GB o más).
- Microsoft Windows 98SE, ME, 2000, or XP
- Tarjeta host PCI para USB 2.0 (Si su computadora no tiene USB 2.0 integrado y desea la velocidad más rápida de 2.0.)

**Nota:** Le recomendamos que use esta unidad con computadoras que tienen conectores USB 2.0 integrados. Si usa una tarjeta host para USB 2.0, la velocidad de lectura de los DVD se puede ver afectada.

## Contenido de la caja

El paquete contiene los siguientes artículos:

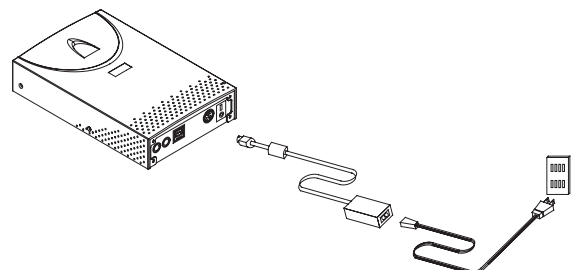
- Unidad combo USB 2.0 externa
- Adaptador de alimentación
- Cable de alimentación de CA
- Cable para USB 2.0
- Disco de software de aplicación

## Instalación de la unidad

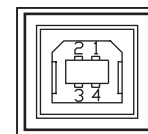
### Instalación del hardware

Para instalar la unidad:

- 1 Conecte el cable de alimentación de CA al adaptador de alimentación, luego conecte el adaptador de alimentación a la unidad.



- 2 Conecte el cable de alimentación de CA a un tomacorriente de CA.
- 3 Conecte el cable de USB a la unidad.



- 4 Conecte el otro extremo del cable de USB al puerto USB de su computadora. La unidad se encuentra lista para ser usada.
- 5 Conecte el cable de audio a la unidad y a su computadora.

**Notas:**

- Asegúrese de usar el cable de USB incluido con la unidad.
- Nunca conecte o desconecte otro dispositivo USB mientras la unidad combo está transfiriendo datos. Hacerlo puede causar la pérdida de datos.
- Nunca desconecte la unidad o desconecte la alimentación de la unidad mientras un disco se encuentra dentro de la unidad.
- No conecte más de dos unidades de CD-RW para USB a una sola computadora.

## Instalación del controlador

Esta unidad combo es un dispositivo "Plug and Play". Esto significa que Windows ME, Windows 2000, y Windows XP pueden detectar automáticamente la unidad e instalar el controlador apropiado. Si su computadora usa Windows 98SE, instale el controlador proporcionado en el disco, luego reinicie su computadora.

## Instalación del software adicional

El CD incluido contiene el siguiente software adicional:

### SOFTWARE PARA GRABAR CD

El software para grabar CD incluido le provee una solución completa para hacer CD de audio y datos directamente desde su escritorio. Los CD de audio creados puede ser reproducidos en el reproductor de CD en su casa o en su auto. Con discos CD-RW, puede grabar y borrar información en el CD.

### SOFTWARE DE REPRODUCCIÓN DE CD Y DVD

El software de reproducción de CD y DVD posee un decodificador mejorado de MPEG-1 y 2 para proveerle con una calidad de imagen superior. Este software esta basado en un motor de decodificación de MPEG-2 propietario que soporta la reproducción de video con la resolución completa de 720 x 480. Usted puede disfrutar la gran selección de títulos educativos y de entretenimiento en CD y DVD con efectos visuales y de sonido con calidad de cine.

#### Para instalar el software adicional:

- Inserte el CD de aplicaciones en la unidad y el programa de instalación se ejecutará automáticamente.
- 0 -

Si el programa de instalación no se ejecuta automáticamente, ejecute el programa **setup.exe** en el CD de aplicaciones.

## Codificación regional de DVD

### ADMINISTRACIÓN DEL CONTROL REGIONAL DE REPRODUCCIÓN

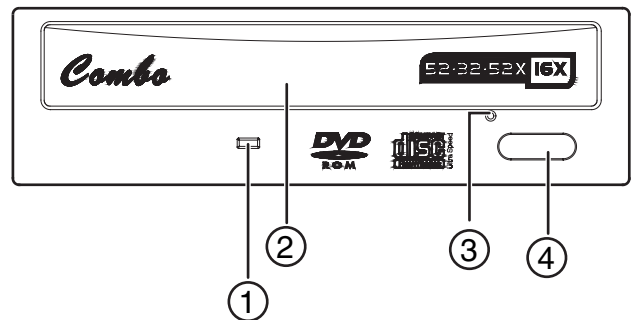
Todos los sistemas de reproducción de vídeo DVD poseen una administración del *Control de Reproducción Regional (RPC)* la cual es requerida por la industria de películas y está definida por el foro de DVD. Solamente se pueden reproducir discos de vídeo DVD que poseen el mismo código de región que su sistema de reproducción de vídeo DVD. Esta unidad combo es una unidad RPC2 y debe registrar el número de veces que se cambia el código regional. Después de que ha cambiado el código regional de la unidad cinco veces, la unidad no le permitirá que lo cambie nuevamente. Esto significa que el código será bloqueado y solamente aquellos títulos de DVD con el mismo código de región podrán ser reproducidos.

Región	Ubicación
1	Canadá, Estados Unidos
2	Japón, Europa, Sudáfrica, y el Medio Oriente (incluyendo Egipto)
3	Asia del Sudeste y Asia del Este (incluyendo Hong Kong)
4	Australia, Nueva Zelanda, Islas del Pacífico, América Central, México, Sudamérica, y el Caribe
5	Europa del Este, El subcontinente Indio, África, Corea del Norte, y Mongolia
6	China

## Uso de la unidad

### Panel frontal

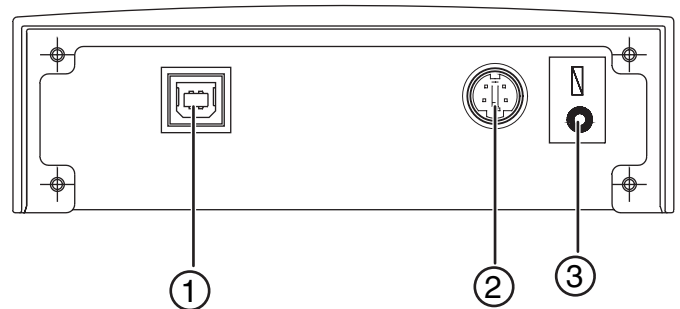
**Nota:** El diseño del panel frontal esta sujeto a cambios sin notificación previa.



	Componente	Descripción
1	Indicador LED	<ul style="list-style-type: none"> <li>• Verde sólido—la unidad se está abriendo y cerrando.</li> <li>• Verde parpadeando—la unidad está leyendo un disco.</li> <li>• Naranja—la unidad está grabando un disco.</li> </ul>
2	Bandeja de discos	Coloque el disco en la bandeja, luego presione el botón de cerrar/expulsar o suavemente empuje la bandeja para cerrarla.
3	Agujero de expulsión manual	Si la bandeja del disco no se puede abrir usando el botón Close/Eject (cerrar/expulsar), se puede insertar un clip de papeles extendido en este agujero para abrir la bandeja manualmente. Asegúrese de apagar el sistema primero.
4	Botón Close/Eject (cerrar/expulsar)	Este botón abre y cierra la bandeja de discos. Si la bandeja se encuentra cerrada, presionar el botón la abre. Si la unidad esta reproduciendo un disco, presionar este botón dejará de reproducirlo.

### Vista Posterior

**Nota:** El diseño del panel posterior está sujeto a cambios sin notificación previa.



	Componente	Descripción
1	Conectores de audio	Conecte el cable de audio a estos puertos y a su computadora.
2	Conector USB	Conecte el cable USB a este puerto.

	Componente	Descripción
3	Conector de alimentación CC	Conecte el adaptador de alimentación a este conector.
4	Interruptor de alimentación	Enciende y apaga la unidad.

## Grabación de tamaño extra (Over-burning)

¿Esta unidad soporta la grabación de tamaño extra? Debe utilizar software que soporta la grabación de tamaño extra para usar esta función.

### Software

Además del software proporcionado, puede usar programas tales como Adaptec EasyCD Creator, Ahead Nero-Burning ROM, y NTI CDMaker.

### CD-Text y SAO (Sesión a la Vez)

Esta unidad soporta CD-Text y SAO para editar el título o contenido de sus CD de música.

## Solución de problemas

Problema	Solución
La unidad no puede ser reconocida.	<ul style="list-style-type: none"> <li>No se ha conectado correctamente la unidad. Asegúrese de que el cable USB y el cable de alimentación están conectados firmemente.</li> <li>Si instaló una tarjeta PCI para USB 2.0 PCI, asegúrese de que se instaló también el controlador de la tarjeta PCI.</li> <li>Si su PC tiene un puerto USB 2.0 integrado y su PC usa Windows 98SE, instale el controlador.</li> <li>Verificar los ajustes del BIOS.</li> </ul>
La unidad puede leer discos de datos y de audio, pero no puede leer discos DVD.	Windows no soporta la reproducción de discos DVD y debe instalar software para reproducir discos DVD.
El altavoz externo no emite sonido cuando se reproduce un CD de música.	<ul style="list-style-type: none"> <li>Asegúrese de que el cable de audio esta conectado correctamente al conector de audio.</li> <li>Verifique las conexiones en la unidad y en la tarjeta de sonido. Si están conectadas, verifique que la tarjeta de sonido está trabajando.</li> </ul>
La unidad no puede leer sesiones anteriores en un disco CD-R que se ha escrito dos o más veces.	Antes de grabar discos CD-R que ya contienen información, recuerde escoger la opción <b>Import session</b> (importar la sesión) para que se puedan leer las sesiones anteriores.
Se escucha ruido mientras se lee el disco.	Si el disco tiene etiquetas, éstas causarán ruido.
La unidad no está encendida.	Asegúrese de que el cable de alimentación esté conectado firmemente.
No se puede expulsar la bandeja.	<ul style="list-style-type: none"> <li>Algunas aplicaciones para grabar o reproducir discos bloquean la unidad. Tiene que usar la aplicación para expulsar la bandeja.</li> <li>El CD esta insertado incorrectamente. Inserte un clip de papeles extendido en el agujero de expulsión manual en el panel frontal.</li> </ul>

Problema	Solución
La unidad no puede leer algunos discos.	Asegúrese de que el disco no tiene rayones profundos, huellas digitales, u otros contaminantes en la superficie. Limpie el disco si es necesario.
La unidad no puede grabar un disco.	<ul style="list-style-type: none"> <li>Use el programa de grabación proporcionado con la unidad o descargue un archivo actualizado del Internet.</li> <li>Su disco duro esta demasiado lleno. Se requiere más capacidad de disco duro si se utiliza el disco duro como un buffer temporal.</li> <li>Coloque el disco correctamente en la bandeja.</li> <li>El disco en blanco necesita un formateo completo antes de usarlo con el software de grabación por paquetes.</li> </ul>
El error "Buffer underrun" (agotamiento de buffer) siempre ocurre cuando se escriben discos.	<ul style="list-style-type: none"> <li>Desactive el salvapantallas y los programas residentes (TSR).</li> <li>Desactive cualquier otra aplicación mientras se graba.</li> <li>Seleccione discos en blanco de buena calidad y de alta velocidad entre los soportados.</li> <li>Incrementa la memoria de su computadora.</li> <li>Utilice otro software de grabación.</li> <li>Desfragmente el disco duro de su computadora.</li> <li>Mantenga los discos origen y destino libres de rayones, huellas digitales o combinación.</li> <li>Copiar la información al disco duro como un archivo imagen para evitar el agotamiento del buffer.</li> <li>Mantenga el sistema limpio. No instale controladores o aplicaciones redundantes para reducir la carga del sistema así también como los conflictos.</li> <li>Habilitar el modo de protección contra agotamiento del buffer si su software lo soporta.</li> </ul>

## Especificaciones

### Rendimiento

#### Velocidad de transferencia (lectura)

CD-ROM .....	7800 kb/seg (hasta 52X)
CD-RW .....	6000 kb/seg (hasta 40X)
DVD-5 .....	21632 kb/seg (hasta 16X)
DVD-9 .....	13520 kb/seg (hasta 10X)

#### Velocidad de transferencia (grabación)

CD-R .....	7800 kb/seg (hasta 52X)
CD-RW .....	4800 kb/seg (hasta 32X)
Buffer de datos de.....	2 MB

#### Modos de grabación

.....	TAO (Pista a la vez)
.....	DAO (Disco a la vez)
.....	SAO (Sesión a la vez)
.....	Multisesión
.....	Grabación por paquetes incremental (tamaño de paquetes fijo y variable)

**Velocidad de grabación**

CD-R..... 8X/16X/24X/32X/40X/48X/52X

CD-RW ..... 4X/10X/12X/16X/24X/32X

**Mecanismo (especificación física)**

Interfaz ..... USB 2.0

Carga de disco ..... Bandeja (motorizada)

Nivel de salida de audio ..... Línea de salida =  $0.6 \pm 10\%$  Vrms**Requisitos de alimentación**

Entrada ..... CA 100~240 V, 50/60 Hz

Salida ..... 5 V 1.5 A, 12 V 1.5 A

**Dimensiones**..... 1.8"  $\times$  6.0"  $\times$  9.2" (46.25 mm  $\times$  152.5 mm  $\times$  234.5 mm)

Peso ..... 4.4 lb. (2 kg)

**Ambiente****Temperatura**

En operación ..... 41 °F a 113 °F (5 °C a 45 °C)

Sin operación ..... -4 °F a 140 °F (-20 °C a 60 °C)

**Humedad**

En operación ..... 8% ~ 80% humedad relativa

Sin operación ..... 5% ~ 95% humedad relativa

**Formatos de disco soportados**

Formato de disco	Grabar	Leer
CD-DA	X	X
CD-ROM	X	X
CD-ROM XA	X	X
CD-EXTRA	X	X
CD de Vídeo	X	X
CD de Fotos	X	X
CD-I	X	X
CD-TEXTO	X	X
DVD-ROM (DVD-5, DVD-9, DVD-10, DVD-18)		X
DVD+RW, DVD-RW		X

**Avisos legales**

Producto láser de Clase 1

Appareil à laser de classe 1

Laser klasse 1

Loukan 1 laserlaite

Produit laser de catégorie 1

**Cuidado**

Radiación láser visible e invisible de clase 3B expuesta cuando la unidad se encuentra abierta. Evite la exposición directa al rayo.

**Vorsicht**

Klasse 3b sichtbare und unsichtbare laserstrahlung wenn geoffnet. Nicht in den strahl sehen.

**Atención**

Radiations du faisceau laser visibles et invisibles de classe 3B

**en cas d'ouverture**

Éviter toute exposition aux rayons.

**Declaración de Cumplimiento con FCC**

Este dispositivo satisface la parte 15 del reglamento FCC. Su operación esta sujeta a las dos condiciones siguientes:

- 1 Este dispositivo no puede causar interferencia dañina.
- 2 Este dispositivo debe aceptar cualquier interferencia recibida, incluyendo interferencias que puedan causar una operación no deseada.

**Declaración de Advertencia de FCC**

Este equipo ha sido sometido a pruebas y se ha determinado que satisface los límites establecidos para clasificarlo como dispositivo digital de Clase B de acuerdo con la Parte 15 del reglamento FCC. Estos límites se han establecido para proporcionar una protección razonable contra interferencias perjudiciales en una instalación residencial. Este equipo genera, utiliza y puede irradiar energía de radiofrecuencia y, si no es instalado y utilizado de acuerdo a las instrucciones, puede causar interferencias perjudiciales en las comunicaciones de radio. Sin embargo, no se garantiza que no ocurrirá interferencia en una instalación particular. Si el equipo causa interferencias perjudiciales en la recepción de la señal de radio o televisión, lo cual puede comprobarse encendiéndolo y apagándolo alternativamente, se recomienda al usuario corregir la interferencia por uno de los siguientes procedimientos:

- Cambiar la orientación o la ubicación de la antena receptora
- Aumentar la distancia entre el equipo y el receptor
- Conectar el equipo a un tomacorriente de un circuito distinto de aquel al que esta conectado el receptor
- Solicitar consejo al distribuidor o a un técnico experto en radio/TV para obtener ayuda.

**Cuidado**

Cualquier cambio o modificación que no este aprobada expresamente por la parte responsable por el cumplimiento puede anular la autoridad del usuario para operar el equipo.

**Para Europa**

"La unidad se conforma con las directivas CEM y de bajo voltaje."

© 2006 Dynex. DYNEX y el logotipo de DYNEX son marcas comerciales de Best Buy Enterprise Services, Inc. Otras marcas y nombres de productos son marcas comerciales o marcas registradas de sus respectivos dueños. Las especificaciones y características están sujetas a cambio sin aviso previo u obligación.









[www.dyneproducts.com](http://www.dyneproducts.com) (800) 305-2204

Distributed by Best Buy Purchasing, LLC  
7601 Penn Ave. South, Richfield, MN 55423 U.S.A.

Distribué par Best Buy Purchasing, LLC  
7601 Penn Ave. South, Richfield, MN 55423 É.-U.

Distribuido por Best Buy Purchasing, LLC  
7601 Penn Ave. South, Richfield, MN 55423 U.S.A.